

Modelo RT650E

Grúa Hidráulica



EQUIPAMIENTO

Marca	Grove
Modelo	RT650E
Serie	228858
Clase	Hidráulica
Tipo	Telescópica
Capacidad	50 USt
Pluma principal	10.0 a 32.0 m
Plumin	8.8 - 15.5 m
Altura máxima de la punta	43 m
Área de trabajo	360 grados
Elevación del boom	-2° a +78°
Winches	02
Tracción	4x4
Neumáticos	4 de 23,5 x 25 – 20 lonas



EQUIPAMIENTO

Motor	Cummins QSB 6.7
Serie	46832043
Potencia	173 CV, 129 kW @ 2 500 rpm
Capacidad de tanque combustible	58 galones
Capacidad de reservorio hidráulico	134 galones
Sistema eléctrico	12 V
Velocidad Máxima	39 Km/h

CAPACIDADES

Diámetro de cable	19 mm (3/4")
Longitud de cable principal	137 m 6x37 EIPS IWRC
Longitud de cable auxiliar	137 m 35x7 Flex-X, antirotación
Peso total	32 500 Kg
Peso contrapeso	5 500 Kg






DATOS


Axle • Achse Essieu • Eje Asse • Eixos • Оси	1	2	Total weight • Gesamtgewicht Poids total • Peso total Peso totale • Peso total Суммарный вес
	t	t	
Basic machine • Grundausführung • Configuration standard Maquina básica • Macchina base • Máquina base • Базовый кран	14,9	17,6	32,5

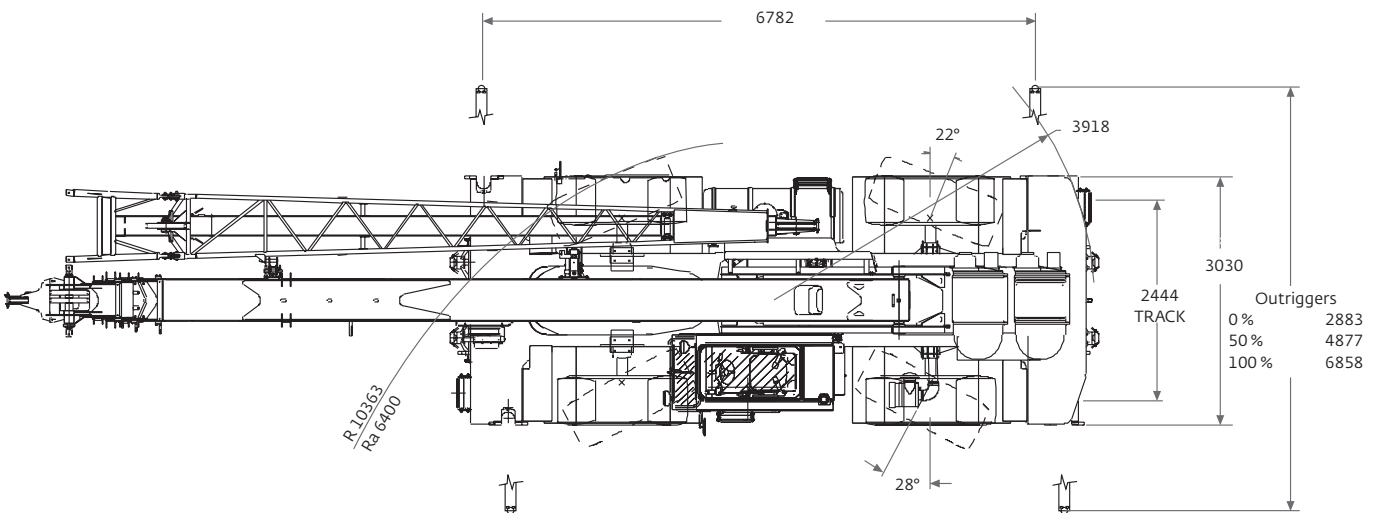
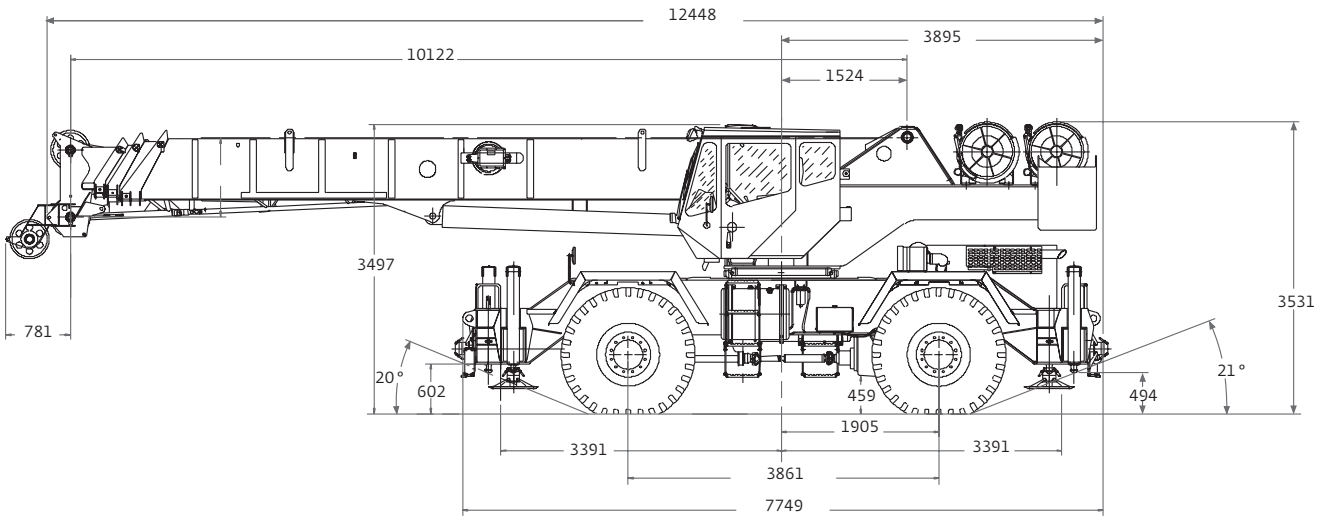


Lifting Capacity Traglast Force de levage Capacidad de elevación Capacità di sollevamento Capacidade de elevação Грузоподъемность	Sheaves Rollen Pouliés Poleas Carrucole Roldanas Шкивы	Parts of line Stränge Brins Ramales de cable Numero di funi Partes de cabo Кратность запасовки	Total weight Gesamtgewicht Poids total Peso total Peso totale Peso total Суммарный вес
45 t	3	6	454 kg
7,5 t	H/B (swivel)	1	167 kg



	Infinitely variable Stufenlos Progressivement variable Infinitamente variable Infinitamente variabile Infinitamente variável Плавно-изменяемый	Rope Seil Câble Cable Fune Cabo Канат	Permissible line pull max. Max. Seilzug Effort maxi au brin Tracciones del cable admisibles Trazioni ammissibili della linea Esforços admitidos nos cables Максимально допустимое натяжение каната	Nominal cable length Seillänge (Nennwert) Longueur nominale des cables Longitud nominal del cable Lunghezza nominale cavo Comprimento nominal de cabo Номинальная длина каната
	0 - 179 m/min single line / bei einfachem Strang brin simple / ramal simple tiro a fune singola / cabo singelo Однократная запасовка	19 mm (6x37 class)	7 620 kg	137 m
	0 - 179 m/min single line / bei einfachem Strang brin simple / ramal simple tiro a fune singola / cabo singelo Однократная запасовка	19 mm (Flex - X 35)	7 620 kg	137 m
	0 - 2,5 min ⁻¹			
	20° to 70° approx. 20 s ca. 20 s • env. 20 s aproximadamente 20 s circa 20 s • cerca de 20 s примерно 20 с			
	10,1 to 32,0 m approx. 44 s ca. 44 s • env. 44 s aproximadamente 44 s circa 44 s • cerca de 44 s примерно 44 с			

DIMENSIONES



Nota: Dimensiones de referencia en mm

DIADRAMA DE CARGA



10,1 - 32,0 m



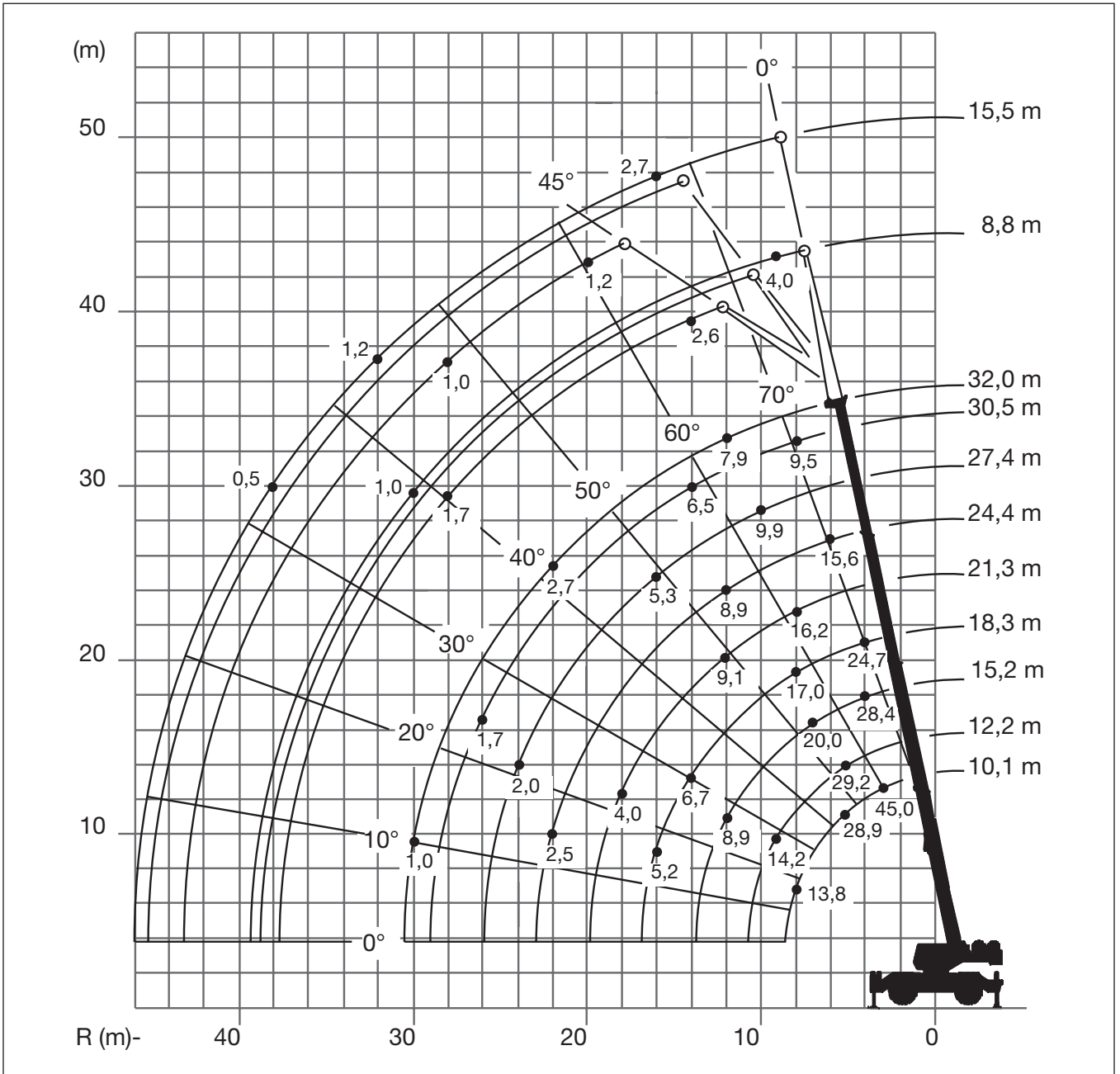
100 %



360°







5,5 t



	H (mm) (t)
	2667

DIAGRAMA DE CARGA

 10,1 - 32,0 m
  100 %
  360°
  5,5 t



DIN/ISO

m	10,1	12,2	15,2	18,3	21,3	24,4	27,4	30,5	32,0
3,0	45,000	36,525	30,500	-	-	-	-	-	-
3,5	41,000	36,050	29,475	25,425	-	-	-	-	-
4,0	36,425	34,250	28,375	24,700	-	-	-	-	-
4,5	31,950	31,875	27,325	23,625	20,500	-	-	-	-
5,0	28,950	29,175	26,100	22,550	19,650	-	-	-	-
6,0	23,425	23,625	23,550	20,375	17,675	15,625	14,225	-	-
7,0	19,600	19,850	20,050	18,875	17,075	14,375	13,125	9,525	8,320
8,0	13,475	16,700	16,925	17,050	16,200	13,125	12,000	9,525	8,320
9,0	-	14,250	14,500	14,575	14,025	12,075	10,900	9,525	8,320
10,0	-	9,285	12,475	12,450	12,025	10,775	9,940	9,050	8,320
12,0	-	-	8,905	9,055	9,110	8,900	8,615	7,695	7,905
14,0	-	-	-	6,765	6,870	6,860	6,855	6,505	6,595
16,0	-	-	-	5,155	5,240	5,260	5,290	5,320	5,340
18,0	-	-	-	-	4,040	4,095	4,145	4,195	4,225
20,0	-	-	-	-	-	3,210	3,275	3,345	3,380
22,0	-	-	-	-	-	2,490	2,595	2,675	2,715
24,0	-	-	-	-	-	-	2,030	2,135	2,180
26,0	-	-	-	-	-	-	-	1,685	1,740
28,0	-	-	-	-	-	-	-	1,295	1,360
30,0	-	-	-	-	-	-	-	-	1,035

AG-829-101/090

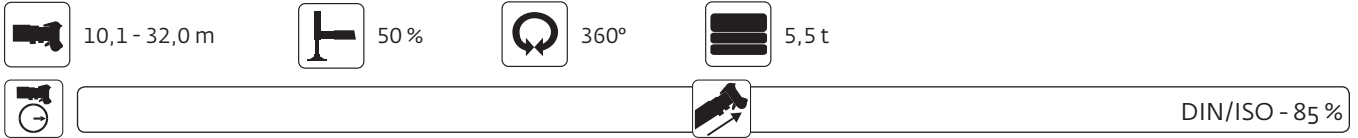


85 %

m	10,1	12,2	15,2	18,3	21,3	24,4	27,4	30,5	32,0
3,0	45,000	36,525	30,500	-	-	-	-	-	-
3,5	41,000	36,050	29,475	25,425	-	-	-	-	-
4,0	36,425	34,250	28,375	24,700	-	-	-	-	-
4,5	31,950	31,875	27,325	23,625	20,500	-	-	-	-
5,0	28,950	29,175	26,100	22,550	19,650	-	-	-	-
6,0	23,425	23,625	23,550	20,375	17,675	15,625	14,225	-	-
7,0	19,600	19,850	20,050	18,875	17,075	14,375	13,125	9,525	8,320
8,0	13,475	16,700	16,925	17,050	16,200	13,125	12,000	9,525	8,320
9,0	-	14,250	14,500	14,625	14,600	12,100	11,050	9,525	8,320
10,0	-	9,285	12,675	12,800	12,925	11,250	10,250	9,050	8,320
12,0	-	-	9,750	9,915	10,075	9,815	8,915	7,695	7,905
14,0	-	-	-	7,465	7,580	7,565	7,560	6,505	7,030
16,0	-	-	-	5,760	5,845	5,860	5,890	5,645	5,945
18,0	-	-	-	-	4,575	4,625	4,675	4,730	4,760
20,0	-	-	-	-	-	3,685	3,750	3,825	3,860
22,0	-	-	-	-	-	2,920	3,030	3,110	3,155
24,0	-	-	-	-	-	-	2,430	2,540	2,585
26,0	-	-	-	-	-	-	-	2,060	2,120
28,0	-	-	-	-	-	-	-	1,650	1,715
30,0	-	-	-	-	-	-	-	-	1,370

AG-829-101/092

DIAGRAMA DE CARGA



m	10,1	12,2	15,2	18,3	21,3	24,4	27,4	30,5	32,0
3,0	36,250	33,325	30,475	-	-	-	-	-	-
3,5	35,525	31,975	28,825	25,425	-	-	-	-	-
4,0	33,475	30,850	27,400	24,700	-	-	-	-	-
4,5	30,250	28,575	26,150	23,625	20,500	-	-	-	-
5,0	25,475	24,275	22,675	21,300	19,650	-	-	-	-
6,0	18,450	18,425	17,450	16,550	15,750	15,025	14,225	-	-
7,0	13,675	13,750	13,925	13,375	12,800	12,275	11,800	9,525	8,320
8,0	10,600	10,700	10,850	11,075	10,650	10,275	9,910	9,525	8,320
9,0	-	8,590	8,745	8,945	9,045	8,740	8,445	8,170	8,040
10,0	-	7,000	7,185	7,380	7,595	7,520	7,285	7,060	6,955
12,0	-	-	5,040	5,225	5,435	5,455	5,485	5,400	5,325
14,0	-	-	-	3,820	4,020	4,035	4,060	4,085	4,100
16,0	-	-	-	2,800	3,025	3,035	3,055	3,080	3,090
18,0	-	-	-	-	2,275	2,295	2,310	2,330	2,340
20,0	-	-	-	-	-	1,720	1,735	1,750	1,760
22,0	-	-	-	-	-	1,240	1,275	1,290	1,300
24,0	-	-	-	-	-	-	0,890	0,915	0,925
26,0	-	-	-	-	-	-	-	0,600	0,615

AG-829-101097



m	10,1	12,2	15,2	18,3	21,3	24,4	27,4	30,5	32,0
3,0	24,500	23,025	21,100	-	-	-	-	-	-
3,5	19,850	18,900	17,525	16,325	-	-	-	-	-
4,0	16,500	15,875	14,900	13,975	-	-	-	-	-
4,5	14,000	13,550	12,850	12,125	11,475	-	-	-	-
5,0	11,875	11,725	11,200	10,650	10,125	-	-	-	-
6,0	8,555	8,605	8,745	8,345	8,065	7,710	7,380	-	-
7,0	6,435	6,480	6,625	6,685	6,550	6,300	6,050	5,810	5,695
8,0	4,935	5,005	5,150	5,325	5,380	5,215	5,025	4,835	4,745
9,0	-	3,925	4,060	4,235	4,430	4,335	4,210	4,060	3,985
10,0	-	3,065	3,230	3,400	3,595	3,620	3,525	3,420	3,365
12,0	-	-	2,040	2,205	2,395	2,415	2,440	2,415	2,380
14,0	-	-	-	1,390	1,580	1,590	1,615	1,640	1,655
16,0	-	-	-	0,775	0,985	0,995	1,015	1,035	1,050
18,0	-	-	-	-	0,525	0,545	0,560	0,580	0,590

AG-829-101098

DIAGRAMA DE CARGA

 10,1 - 32,0 m
  0 km/h
  360°
  5,5 t



DIN/ISO

m	10,1	12,2	15,2	18,3	21,3
3,0	17,475	17,475	-	-	-
3,5	15,400	14,900	13,850	-	-
4,0	13,150	12,625	11,850	-	-
4,5	10,775	10,775	10,250	9,645	-
5,0	8,965	8,975	8,965	8,455	-
6,0	6,475	6,485	6,495	6,505	6,425
7,0	4,845	4,855	4,870	4,875	4,880
8,0	3,700	3,710	3,720	3,730	3,730
9,0	-	2,935	2,950	2,955	2,960
10,0	-	2,280	2,295	2,300	2,305
12,0	-	-	1,375	1,380	1,385

AG-829-101103A



85 %

m	10,1	12,2	15,2	18,3	21,3
3,0	17,475	17,475	-	-	-
3,5	15,400	15,400	14,750	-	-
4,0	13,500	13,500	13,500	-	-
4,5	11,900	11,900	11,900	10,750	-
5,0	10,475	10,475	10,475	10,475	-
6,0	7,650	7,650	7,650	7,650	7,650
7,0	5,810	5,810	5,810	5,810	5,810
8,0	4,510	4,510	4,510	4,510	4,510
9,0	-	3,630	3,630	3,630	3,630
10,0	-	2,890	2,890	2,890	2,890
12,0	-	-	1,850	1,850	1,850
14,0	-	-	-	1,150	1,150
16,0	-	-	-	0,650	0,650

AG-829-101085

DIAGRAMA DE CARGA


10,1 - 32,0 m



4 km/h



0°



5,5 t



DIN/ISO

m	10,1	12,2	15,2	18,3	21,3
3,0	13,675	13,675	8,090	-	-
3,5	13,675	13,675	8,090	-	-
4,0	12,550	11,975	8,090	-	-
4,5	10,750	10,325	8,090	8,090	6,690
5,0	9,315	8,990	8,090	7,965	6,690
6,0	7,175	6,975	6,670	6,260	6,050
7,0	5,670	5,530	5,325	5,000	4,890
8,0	4,585	4,450	4,305	4,035	3,990
9,0	-	3,620	3,505	3,270	3,270
10,0	-	2,980	2,865	2,645	2,685
12,0	-	-	1,910	1,705	1,790
14,0	-	-	-	1,030	1,135
16,0	-	-	-	0,545	0,640

AG-829-10104A



85 %

m	10,1	12,2	15,2	18,3	21,3
3,0	13,675	13,675	8,090	-	-
3,5	13,675	13,675	8,090	-	-
4,0	13,675	13,675	8,090	-	-
4,5	13,625	13,625	8,090	8,090	6,690
5,0	12,450	12,450	8,090	8,090	6,690
6,0	10,450	10,450	8,090	8,090	6,690
7,0	8,900	8,900	8,090	8,090	6,690
8,0	7,650	7,650	7,650	7,650	6,690
9,0	-	6,590	6,590	6,590	6,590
10,0	-	5,790	5,790	5,790	5,790
12,0	-	-	3,410	3,410	3,410
14,0	-	-	-	2,630	2,630
16,0	-	-	-	2,020	2,020
18,0	-	-	-	-	1,540

AG-829-101086

DIAGRAMA DE CARGA



10,1 - 32,0 m



8,8 - 15,5 m



100 %



360°



5,5 t



DIN / ISO

in m	8,8 m			15,5 m		
	0°	25°	45°	0°	25°	45°
9,0	4,080	-	-	-	-	-
10,0	4,080	-	-	-	-	-
12,0	4,080	3,585	-	2,720	-	-
14,0	3,835	3,305	2,565	2,720	-	-
16,0	3,445	3,015	2,515	2,685	-	-
18,0	3,130	2,770	2,420	2,445	1,790	-
20,0	2,825	2,535	2,335	2,245	1,670	1,240
22,0	2,610	2,365	2,165	2,070	1,570	1,190
24,0	2,215	2,200	2,010	1,925	1,475	1,150
26,0	1,760	2,015	1,855	1,775	1,395	1,115
28,0	1,375	1,610	1,695	1,650	1,325	1,085
30,0	1,055	1,260	-	1,490	1,260	1,060
32,0	0,775	0,950	-	1,200	1,205	1,045
34,0	0,535	0,680	-	0,950	1,155	1,025
36,0	-	-	-	0,730	0,990	-
38,0	-	-	-	0,535	0,755	-
40,0	-	-	-	-	0,515	-

AG-829-101091A



85 %

m	8,8 m			15,5 m		
	0°	25°	45°	0°	25°	45°
9,0	4,080	-	-	-	-	-
10,0	4,080	-	-	-	-	-
12,0	4,080	3,625	-	2,720	-	-
14,0	4,060	3,400	2,565	2,720	-	-
16,0	3,810	3,175	2,515	2,720	-	-
18,0	3,405	2,975	2,420	2,720	1,790	-
20,0	3,040	2,800	2,335	2,700	1,670	1,240
22,0	2,720	2,650	2,165	2,470	1,570	1,190
24,0	2,435	2,520	2,010	2,245	1,475	1,150
26,0	2,155	2,395	1,855	2,055	1,395	1,115
28,0	1,750	1,990	1,695	1,890	1,325	1,085
30,0	1,405	1,605	-	1,745	1,260	1,060
32,0	1,110	1,275	-	1,525	1,205	1,045
34,0	0,850	0,990	-	1,260	1,155	1,025
36,0	0,625	-	-	1,025	1,115	-
38,0	-	-	-	0,820	1,035	-
40,0	-	-	-	0,635	0,780	-

AG-829-101029

REDUCCIONES DE PESOS

Auxiliary boom nose / Zusatz-Auslegerkopf / Tête de flèche auxiliaire / Cabeza auxiliar / Falconcino ausiliario in testa al braccio / Cabeçote da lança auxiliar / Вспомогательный оголовок стрелы	62 kg
Hookblocks / Hakenflaschen / Moufles / Ganchos / Ganci / Cadernais / Крюковой блок	
45 tonne 4 sheave / Seilrollen / Réas / Poleas / Carrucole / Roldanas / блок	488 kg
45 tonne 3 sheave / Seilrollen / Réas / Poleas / Carrucole / Roldanas / блок	454 kg
35 tonne 3 sheave / Seilrollen / Réas / Poleas / Carrucole / Roldanas / блок	363 kg
7,5 tonne headache ball (non swivel) / Hakengeschrir 7,5 t (nicht schwenkbar) / Crochet simple lesté de 7,5 tonnes (non pivotant) / Gancho de bola de 7,5 toneladas (antigiratorio) / Bozzello a palla da 7,5 tonnellate (non girevole) / Bola com gancho 7,5 toneladas (não giratória) / Шаровая баба весом 7,5 т (неповоротная)	159 kg
7,5 tonne headache ball (swivel) / Hakengeschrir 7,5 t (schwenkbar) / Crochet simple lesté de 7,5 tonnes (pivotant) / Gancho de bola de 7,5 toneladas (giratorio) / Bozzello a palla da 7,5 tonnellate (girevole) / Bola com gancho 7,5 toneladas (giratória) / Шаровая баба весом 7,5 т (поворотная)	168 kg
8,8 m fixed swingaway extension / Feststehender Klappspitzenausleger / Extension treillis fixe / Extensión fija abatible / Prolunga del braccio rotante fissa / Extensão swingaway fixa / Удлинитель стрелы	2 001 kg
8,8-15,5 m telescopic swingaway extension / Teleskopklappspitze / Eléments intermédiaires pour extension de treillis / Extensión de pluma de celosía / Jib telescopico ripiegabile / Extensão swingaway telescópica / Промежуточные вставки удлинителя стрелы	
8,8 m jib erected / Spitze vorgebaut / Déplié / Montado / Montato / Montado / смонтированный	3 000 kg
15,5 m jib erected / Spitze vorgebaut / Déplié / Montado / Montato / Montado / смонтированный	4 233 kg
29,2 m jib erected / Spitze vorgebaut / Déplié / Montado / Montato / Montado / смонтированный	6 033 kg

Note: All load handling devices and boom attachments are considered part of the load and suitable allowances must be made for their combined weights.

Hinweis: Alle Lastaufnahmemittel und jede Zusatzausrüstung des Hauptauslegers werden als Teil der Traglast betrachtet und ihre kombinierten Gewichte müssen beim Feststellen der Nettolast entsprechend berücksichtigt (abgezogen) werden.

Remarque : Les équipements complémentaires et accessoires de levage sont considérés comme faisant partie de la charge; les réductions de charges de leurs poids combinés doivent être effectuées.

Nota: Todos los aparos de elevacion e implementos de pluma son considerados parte de la carga y deben ser tenidos en cuenta para calcular los pesos a elevar.

Nota: Tutti gli accessori di sollevamento e le opzioni montate sul braccio sono considerati parte del carico e devono essere richieste adeguate autorizzazioni per l'uso dei loro pesi complessive.

Nota: Todos os acessórios de elevação e opcionais de lança contribuem para a carga a elevar pelo que devem ser tidos em conta nos cálculos dos pesos a elevar.

Примечание: Все погрузочно/разгрузочные устройства и дополнительные приспособления стрелы считаются частью нагрузки, поэтому в общем весе для них нужно учитывать некоторые допущения.